

TW-38-IP65 Trackball in high grade steel module

Trackball for built-in in industrial applications, ball diameter 38 mm, degree of protection IP65 (statisch), IP54 (dynamisch)



Description



Features:

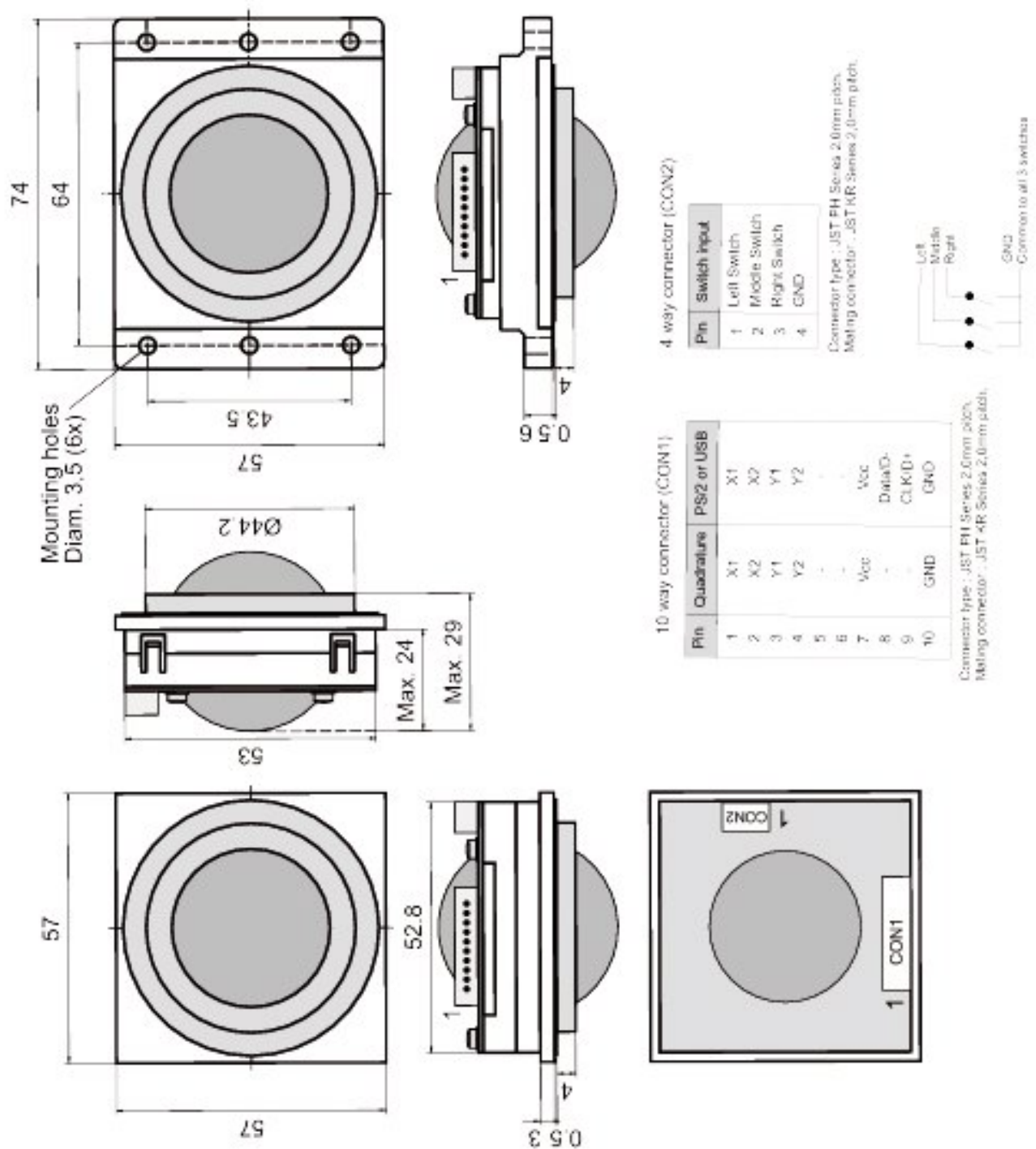
- 38 mm stainless steel [Trackball](#) for backpanel installation in a tough ABS/polycarbonate top plate
- The patented scraper ring enables the ball to be [IP 54 \(NEMA 2\)](#) or [IP65 \(NEMA 4\)](#)
- Ideal for many applications in fields such as in kiosks, infoterminals, and industrial applications.
- Besides the stainless steel ball we offer a robust plastic ball (mechanical technology) as well as an epoxy resin ball (optical technology)
- Please you consider also the installation version with high-grade steel front plate and integrated metal switches, as you can see in the cross-reference.

Output Connector:

Pin	Quadratur Ausgang	PS/2	USB
1	X1	-	-
2	X2	-	-
3	Y1	-	-
4	Y2	-	-
5	-	-	-
6	-	-	-
7	VCC +5VDC	VCC +5VDC	VCC +5VDC
8	-	DATA	D-
9	-	CLOCK	D+
10	GND	GND	GND

Connector for Switches:

Pin	Funktion
1	Linker Schalter
2	Mittlerer Schalter
3	Rechte Schalter
4	GND



Specification

Mechanical data

Dimensions:	74 x 57 x 38,1 mm
Weight:	0,085 kg
Housing:	Plastic
Degree of Protection:	IP65
Color:	black

Electric Data

Interface:	Quadratur
Operating Voltage:	+5 ± 0,25 V

Environment

Operating Temperature:	from 0 °C to +70 °C
Storage Temperature:	from -25 °C to +85 °C
Humidity:	min. 30%, max. 95%, not condensing


Additional Information

Tracking force:	depends on seal: 8/25/50g at IP40/51/65
Ball load:	200 N
Ball rotation:	continous and reversible - any direction
Ball speed:	200 RPM max
Mounting position:	horizontal to 30° (non-sealed version) horizontal to 90° (sealed-version)
Resolution (Quadrature-Output):	241 Pulses per revolution
Resolution (Protocol-Output):	482/241 (adjustable per DIP-Switch)
External switch inputs:	3 switch support - left, middle, right (only protocoll version!)
Supply Current, typical (Quadrature-Output):	6 mA
Supply Current, typisch (Protocoll-Output):	10 mA
Optional Backlight- Trackball :	+5VDC, 100mA
Vibration:	5 Gs, 2-5KHz any plane
Shock:	100 Gs, duration 11ms
Lifetime:	> 10 mio. ball revolution (non-sealed) > 2 mio. ball revolutions (sealed)
Ball material:	V2A
Cut-Out:	ø 44,6 mm
suitably frontplate thickness:	d = 2-4 mm (with 4 mm justified finally)
Ball colour:	Stainless Steel (optional: ivory, grey, backlit blue)




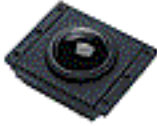
Order No.	Article	
TW1080	TW-38-IP65-Metall-PS/2	PS/2 interface
TW1090	TW-38-IP65-Metall-USB	USB interface

Accessories

Order No.	Article	
ZK1220	Kabel-PS2	cable PS/2
ZK1290	USB Anschlusskabel, ca. 2,5m Länge	cable for USB
ZK1245	Kabel zum Anschluss von 2 Tasten (L+R) an Trackball mit integriertem Controller	Cable Left+Right Mouseswitch - > Controller

ZK1342	Kabel zum Anschluss von 3 Tasten (L+R) an Trackball mit integriertem Controller	Cable Left+Right Mouseswitch - > Controller
ZT1043	ZTS- M19 Metalltaste 	M19 Zink-Druckguss Taster
ZT1091	M19-Edelstahl	M19 Edelstahl Taster

Links

Click!	Titel
	TW-38-IP65 Optical Trackball with Epoxy Resin Ball Optical Trackball 38 mm diameter, IP65 protection (static)
	TW-Series Trackball Modules Optical or Mechanical Trackballs in different sizes
	TVG-Series Stainless Steel Frontplates with integrated Mouse Modules Vandalproof Series with Trackball or Touchpad and customized Frontplate.
	TW-38-IP65 Plastic Trackball Module Trackball for multiple applications, ball diameter 38 mm (1 1/2"), degree of protection IP65 (static)

sales@tastaturen.com **Telefon: (089) 89 43 99-0 Fax: (089) 89 43 99-11**